

Condensate Pump Comparison Chart

Feature	MARS	Comp. 1	Comp. 2	Comp. 3
Lift 24 ft.	✓			
Quick Release & Clean Check Valve	✓			
Ball Bearing Motor Construction	✓			
1/25 th H.P. Motor	✓			
Motor Stack Corrosion Protection	✓			
Elevated Motor & Switches	✓			
Vibration Absorbing Rubber Feet	✓	✓	○	
Integrated Side Mount	✓	✓	✓	✓
Standard Safety Switch	✓	✓		
Solid Float	✓		✓	✓
Score	10	3	2	2

*Note ○ = Optional on some models

Gallons Per Hour Pump Performance Comparison Chart

Foot Lift	1	5	10	15	20	24
MARS	125	98	74	70	43	7
Comp. 1	84	75	60	42	10	0
Comp. 2	117	98	70	58	11	0
Comp. 3	105	95	73	36	0	0

24' Pump



Low Profile 22' Pump



16' Pump



MARS[®]

The More Powerful Pump

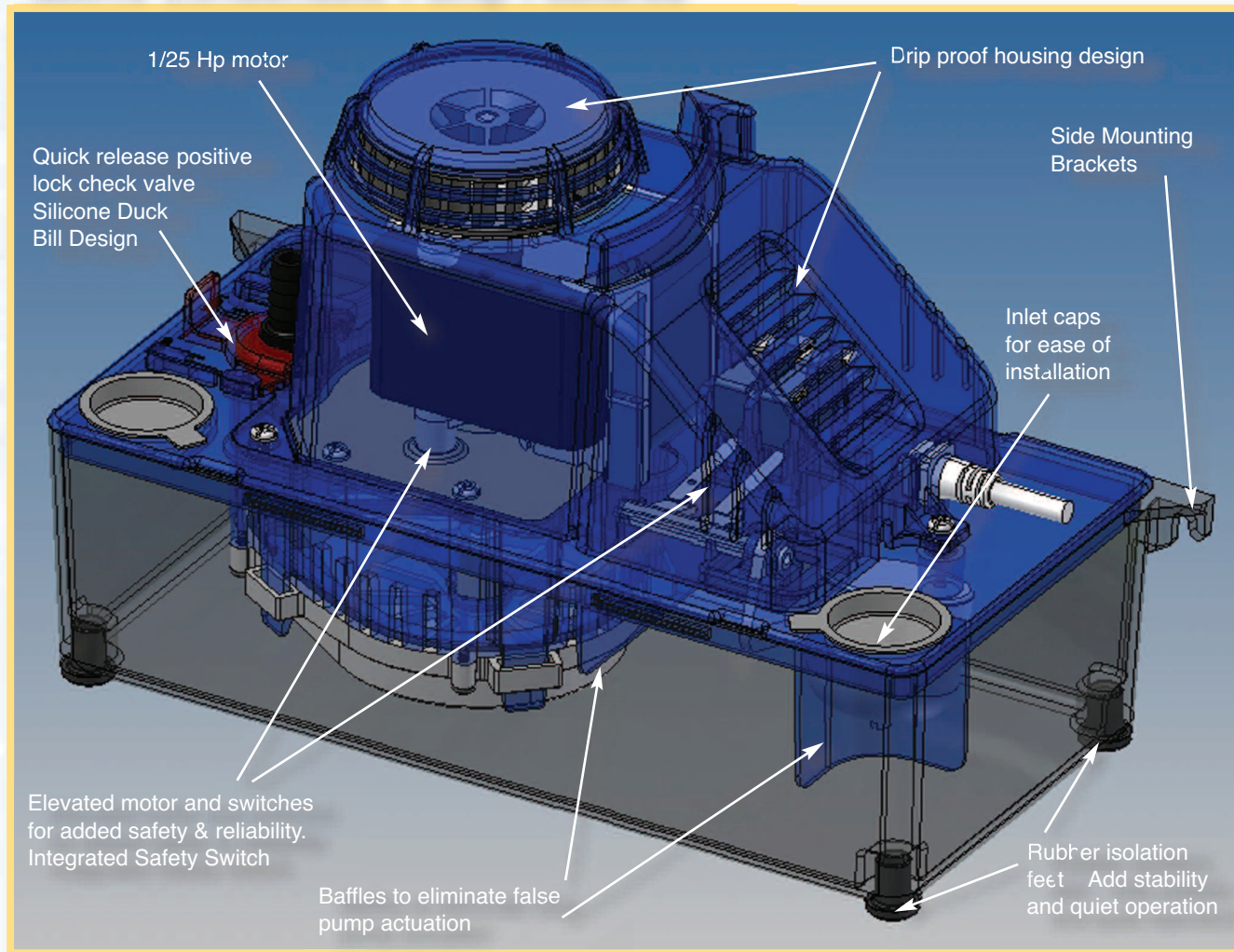


- 24' Lift
- "Quick Clean" Check Valve

MARS Condensate Pump Features

Features:

- ❑ **ABS Plastic Housing** –
 - One of the most durable plastics available.
- ❑ **Stainless Steel Components**
 - Resists rust and corrosion.
- ❑ **1/25 HP Motor – Ball Bearing Construction**
 - Quiet operation with a motor life 10X existing pumps
 - Thermally protected motor
- ❑ **Standard – Overflow Safety Switch**
 - Reduces potential water damage
 - Easily reconfigured from NC to NO contacts
- ❑ **Integrated- Side Mount Brackets**
 - No hardware or brackets to lose
- ❑ **Check Valve - Quick Release – Positive Lock**
 - Tool-less – quick clean check valve
 - No need to remove condensate drain line when cleaning.
 - Silicone Duck Bill design for long life. Resists clogging
- ❑ **Drip Proof Housing**
 - Eliminates water and debris from entering the motor housing
- ❑ **Solid Float Construction with Stand-Off**
 - Eliminates float deterioration and malfunction
- ❑ **Reversible Motor Housing**
 - Speeds installation and eliminates the need to change plumbing configuration



Lift	MARS #	Description
24' Lift	21780	115 V, 60 Hz, 0.91 Amps, 71 Watts, 6' Cord, 3/8" Check Valve, Safety Switch, Medium Reservoir
	21781	115 V, 60 Hz, 0.91 Amps, 71 Watts, 6' Cord, 3/8" Check Valve, Safety Switch, 20' Tubing, Medium Reservoir
	21782	230 V, 60 Hz, 0.6 Amps, 75 Watts, 6' Cord, 3/8" Check Valve, Safety Switch, Medium Reservoir
	21783	230 V, 60 Hz, 0.6 Amps, 75 Watts, 6' Cord, 3/8" Check Valve, Safety Switch, 20' Tubing, Medium Reservoir
22' Lift	21784	Low Profile 115V, 60Hz, 1.07 Amps, 67 Watts, 6' Cord, 3/8" Check Valve, Safety Switch Medium Reservoir
	21785	Low Profile 230V, 60Hz, 0.53 Amps, 68 Watts, 6' Cord, 3/8" Check Valve, Safety Switch Medium Reservoir
16' Lift	21786	115V, 60Hz, 0.75Amps, 49Watts, 6' Cord, 3/8" Check Valve, Safety Switch Medium Reservoir
	21787	Check Valve Replacement Kit

Note: Max water temperature 130°F For Condensing Gas Furnaces